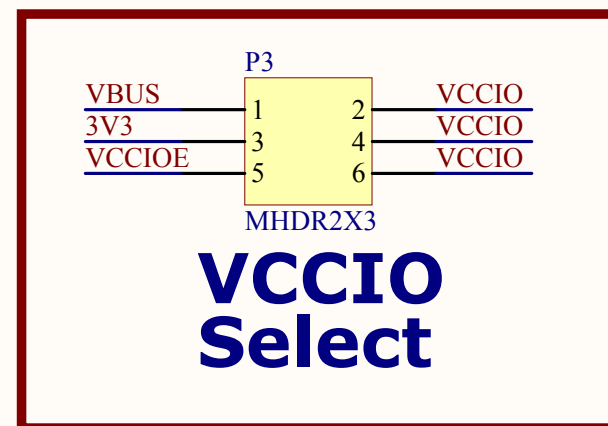
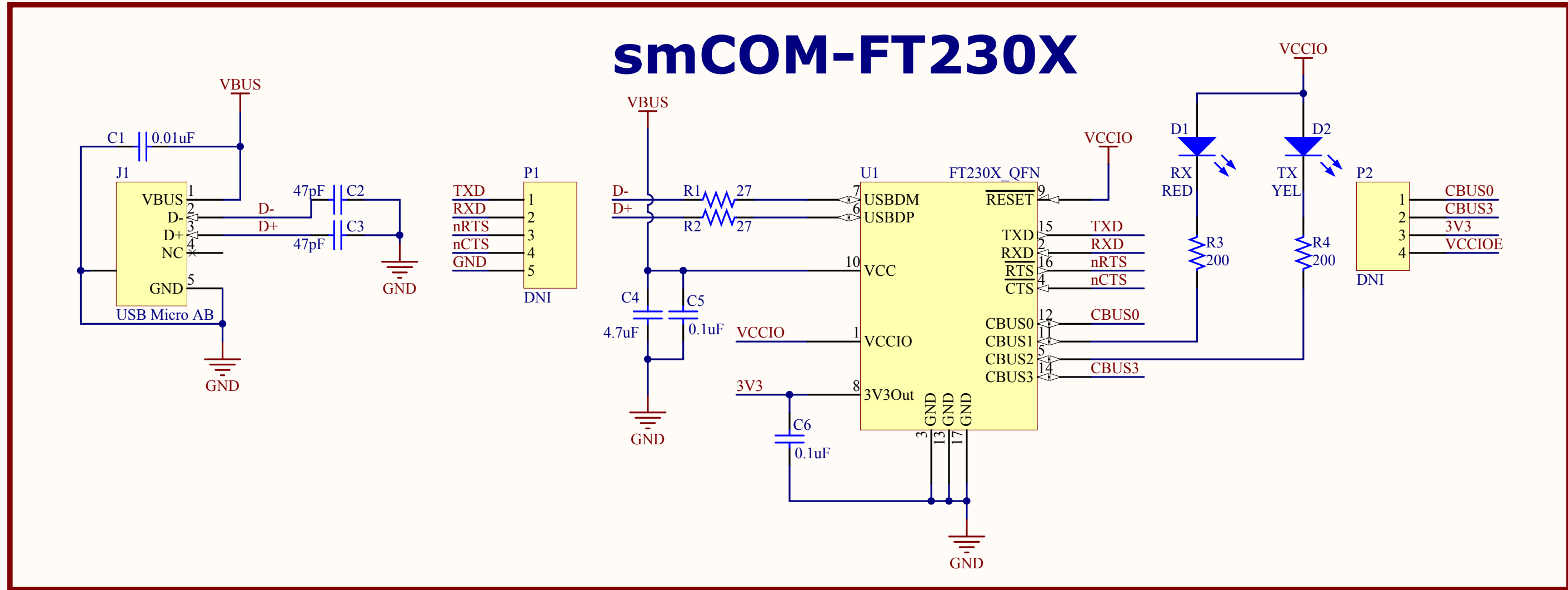


**Can be used with the smCOM locations on the Sensor Maestros Wireless Sensor Prototype platforms.**

**smWSP: smCOM Block - 2 locations**

**smWSP-ARD: smCOM Block - 1 location**



Title <b>smCOM-FT230X</b>		
Size: Letter	Number:	Revision: 1.0
Date: 1/11/2018	Time: 3:25:43 PM	Sheet 1 of 1
File: smCOM-FT230.SchDoc		

Sensor Maestros LLC  
Sensors That Make Sense  
[www.sensormaestros.com](http://www.sensormaestros.com)

