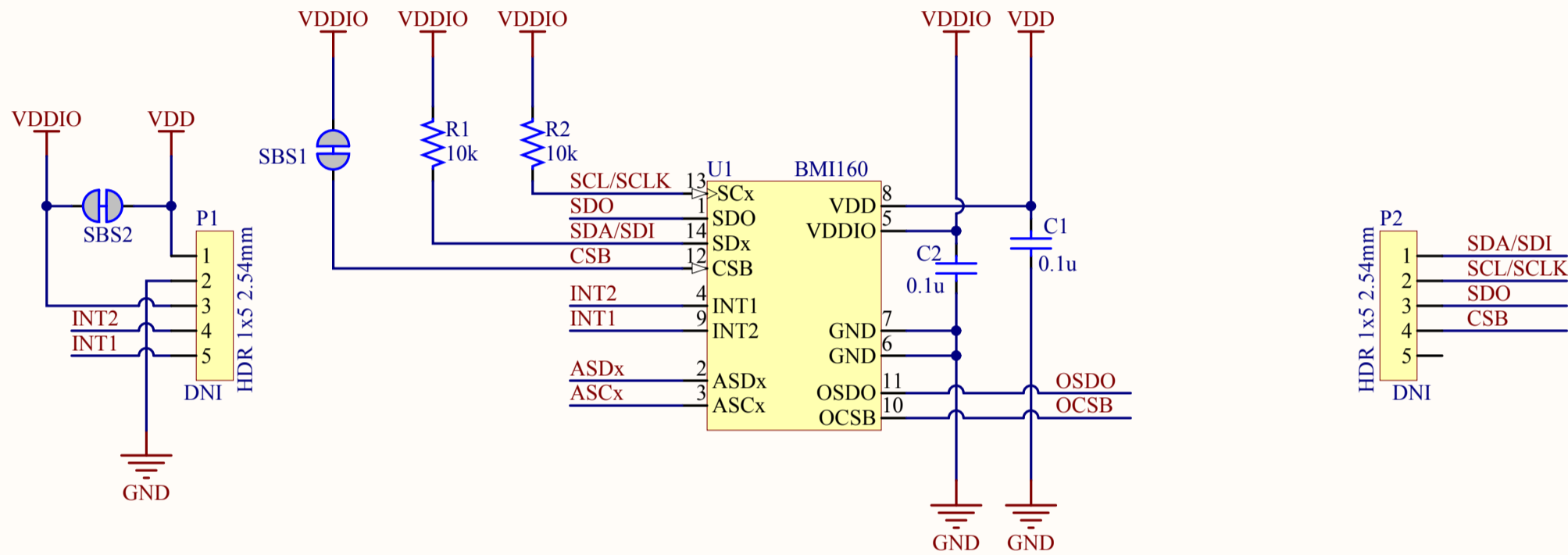


Sensor Maestros Wireless Sensor Platform Ready!!

I2C Config: Use in smBLOCK I2C - 10pin
SPI Config: Use in smBLOCK SPI - 10pin, Pin4(FSYNC on smBLK SPI is used for INT.



SPI/I2C CONFIGURATIONS(DEFAULT = I2C)

COMPONENT	I2C	SPI
R2=SCL/SCLK	VDD	Remove R2
R1=SDA/SDI	VDD	Remove R1
SBS1=CSB	VDD	Cut SBS1

VDDIO/VDD: To allow for different VDDIO and VDD Cut SBS2 SolderBridge