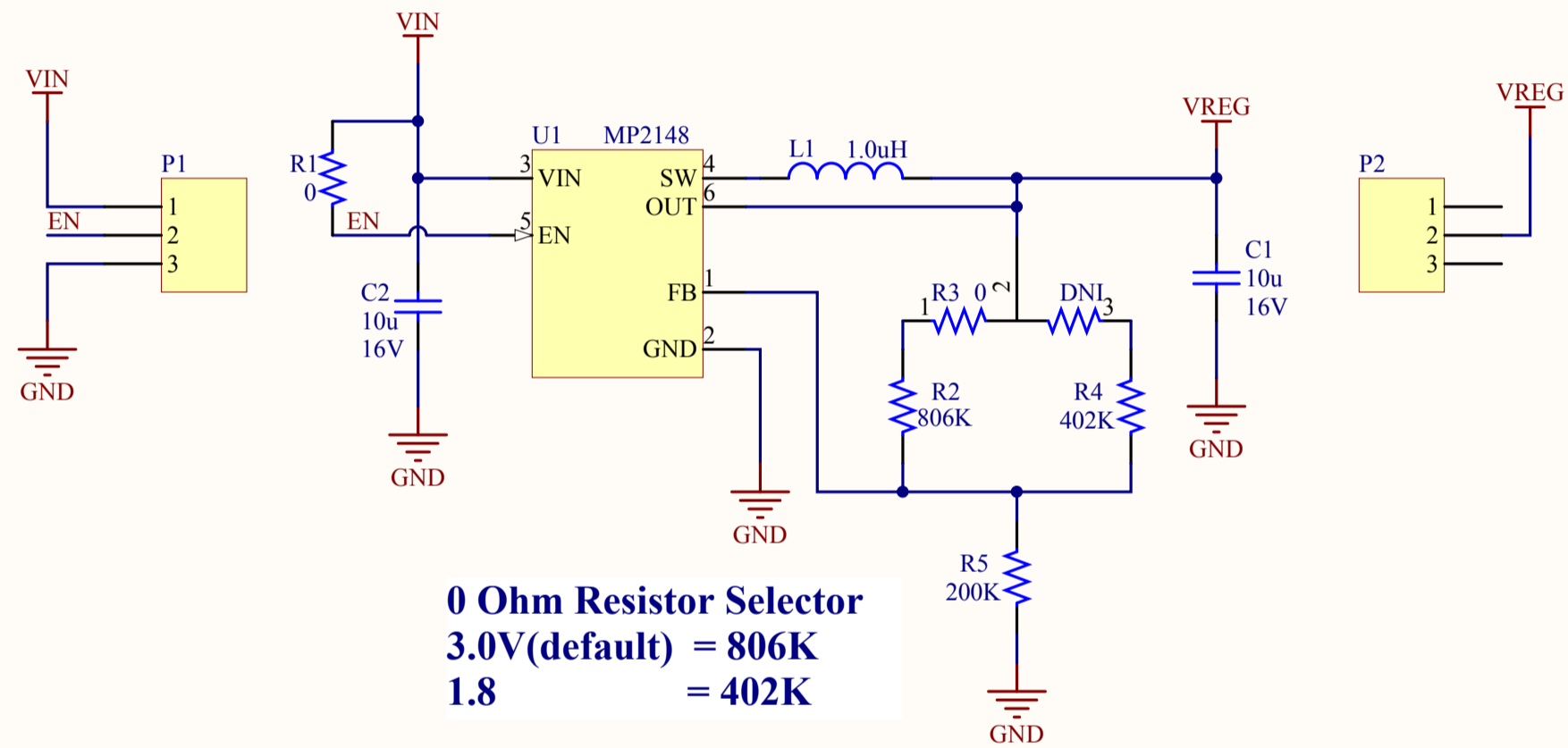


**Can be used with the smPWR locations on the Sensor Maestros Wireless Sensor Prototype platforms.**

**smRF-WB: smPWR**  
**smWSP-ARD: smPWR**



Title <b>smPWR-MP2148</b>		
Size: Letter	Number: 1	Revision: V1.0
Date: 4/18/2018	Time: 10:10:23 PM	Sheet 1 of 1
File: smPWR-MP2148-ADJ.SchDoc		

Sensor Maestros LLC  
 Sensors That Make Sense  
[www.sensormaestros.com](http://www.sensormaestros.com)

